

BL inGROUND

Recessed, Encapsulated Linear LED Luminaire
Mono or Polychromatic, 24VDC

LNR9939

Printed



Please note that these instructions are guidelines only and in no way supersede any construction or installation standards.

Local building and electrical codes should be consulted before installation.

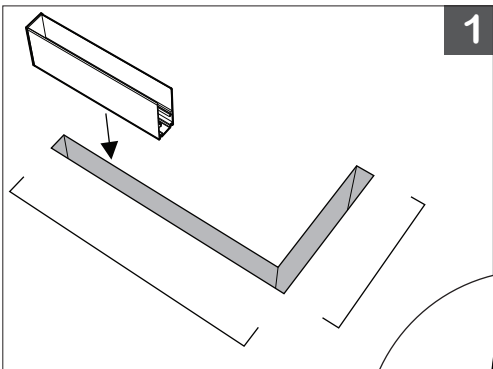
ATTENTION

- There is potential danger of electrical shock when operating electrical components.
- Make sure power is turned off before installation.
- Allow for heat dissipation and adequate ventilation.

BEFORE YOU BEGIN INSTALLATION

- Bowing must be avoided. Lay foundation if ground strength is unsatisfactory.
- Ensure proper drainage has been planned and included before installation.
- Account for thermal expansion by leaving sufficient gaps between profiles.

**180° LINEAR
Positioning + Installing Mounting Channels**



1

1.

- Arrange mounting channels for **LNR9939** in desired order. Support mounting channel in selected position using standard masonry procedures.
- Fix mounting channels in place with screws through provided holes.

IMPORTANT: The mounting channel must be level with the ground. Trim must not be above or below surface level to prevent water from accumulating on lens.

PROJECT

CLIENT

TYPE

Solid State Lighting is sensitive to power fluctuations
Surge protection is highly recommended for all LED lighting products and should be on a designated circuit to protect against premature failure
Lack of surge protection may void your warranty

For more information, please download the
BL LIGHTING catalogue

BL LIGHTING. ILLUMINATE EVERYTHING

111 - 8838 Heather St. Vancouver, BC. Canada. V6P 3S8
P: 1-604-874-4405 F: 1-604-321-0445 E: info@blighting.com
Copyright © BL INNOVATIVE LIGHTING. All Rights Reserved.

blighting.com



BL inGROUND

Recessed, Encapsulated Linear LED Luminaire
Mono or Polychromatic, 24VDC

LNR9939

Printed



Please note that these instructions are guidelines only and in no way supersede any construction or installation standards.

Local building and electrical codes should be consulted before installation.

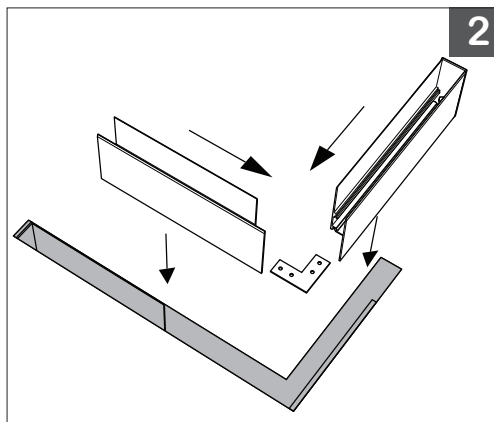
ATTENTION

- There is potential danger of electrical shock when operating electrical components.
- Make sure power is turned off before installation.
- Allow for heat dissipation and adequate ventilation.

BEFORE YOU BEGIN INSTALLATION

- Bowing must be avoided. Lay foundation if ground strength is unsatisfactory.
- Ensure proper drainage has been planned and included before installation.
- Account for thermal expansion by leaving sufficient gaps between profiles.

**90° TURN
Positioning + Installing Mounting Channels**



2.

- Determine correctly specified mounting channels are used to make a 90° turn.
- Couple mounting channels with L Connector provided.
- Repeat procedure in **Step 1**.

PROJECT

CLIENT

TYPE

Solid State Lighting is sensitive to power fluctuations
Surge protection is highly recommended for all LED lighting products and should be on a designated circuit to protect against premature failure
Lack of surge protection may void your warranty

For more information, please download the
BL LIGHTING catalogue

BL LIGHTING. ILLUMINATE EVERYTHING

111 - 8838 Heather St. Vancouver, BC. Canada. V6P 3S8
P: 1-604-874-4405 F: 1-604-321-0445 E: info@blighting.com
Copyright © BL INNOVATIVE LIGHTING. All Rights Reserved.

blighting.com



BL inGROUND

Recessed, Encapsulated Linear LED Luminaire
Mono or Polychromatic, 24VDC

LNR9939

Printed



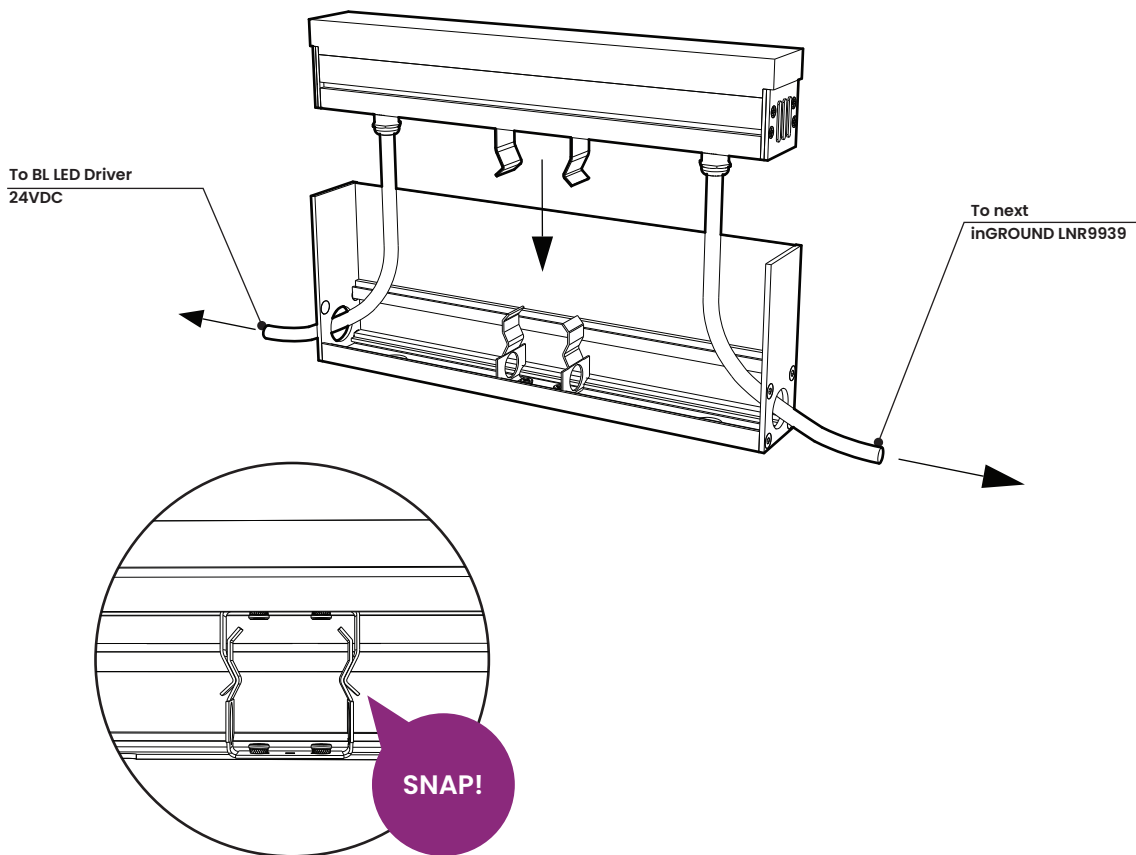
Please note that these instructions are guidelines only and in no way supersede any construction or installation standards.

ATTENTION

- There is potential danger of electrical shock when operating electrical components.
- Make sure power is turned off before installation.
- Allow for heat dissipation and adequate ventilation.

Local building and electrical codes should be consulted before installation.

INSTALLATION
Integration + Wiring of Luminaire into Mounting Channel



PROJECT CLIENT TYPE

Solid State Lighting is sensitive to power fluctuations
Surge protection is highly recommended for all LED lighting products and should be on a designated circuit to protect against premature failure
Lack of surge protection may void your warranty

For more information, please download the
BL LIGHTING catalogue

BL LIGHTING. ILLUMINATE EVERYTHING

111 - 8838 Heather St. Vancouver, BC, Canada. V6P 3S8
P: 1-604-874-4405 F: 1-604-321-0445 E: info@blighting.com
Copyright © BL INNOVATIVE LIGHTING. All Rights Reserved.

blighting.com

