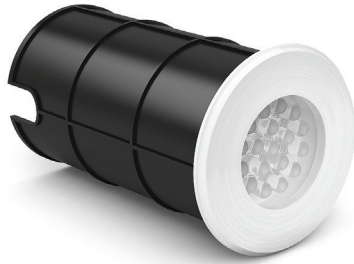


BL inGRADE

Micro Recessed Luminaire
1.3W, 12VDC Constant Voltage

MN Series

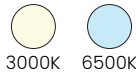
Printed



Certification



Lighting



Lamp	LED, 0.07W (x18)
Beam Angle	35°
Average Life	30,000 Hours
Lumens	30 lm
Efficacy	23 lm/W

Electrical

Input Voltage	12VDC
Frequency	50/60Hz
Load	1.3W
Connections	18AWG, Copper Conductors
Operating Temperature	-4°F to 104°F (-20°C to 40°C)
Cord Length	39"

Mechanical

Housing Construction	SS316 Enclosure, Glass, Plastic Boot
Weight	430g (15.2oz)
Environmental	IP65
Mounting	Concrete Pour Boot

PROJECT

CLIENT

TYPE

Solid State Lighting is sensitive to power fluctuations
Surge protection is highly recommended for all LED lighting products and should be on a designated circuit to protect against premature failure
Lack of surge protection may void your warranty

For more information, please download the
BL LIGHTING catalogue

BL LIGHTING. ILLUMINATE EVERYTHING

111 - 8838 Heather St. Vancouver, BC, Canada. V6P 3S8
P: 1-604-874-4405 F: 1-604-321-0445 E: info@bllighting.com
Copyright © 2017 BL INNOVATIVE LIGHTING. All Rights Reserved.

bllighting.com



BL inGRADE

Micro Recessed Luminaire
1.3W, 12VDC Constant Voltage

MN Series

Printed

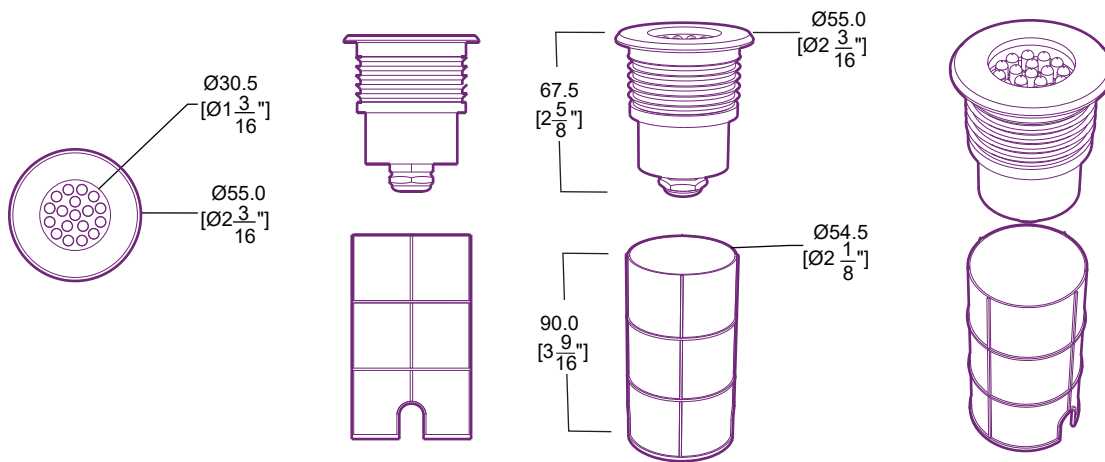
Performance

CCT/Color	Load	Lumens	Efficacy
3000K	1.30 W	30 lm	23 lm/W
6500K	1.30 W	34 lm	26 lm/W

Ordering

Series	CCT/Color
BL inGRADE MN	<input type="text"/>
	30 = 3000K
	65 = 6500K

Dimensions



PROJECT CLIENT TYPE

Solid State Lighting is sensitive to power fluctuations
Surge protection is highly recommended for all LED lighting products and should be on a designated circuit to protect against premature failure
Lack of surge protection may void your warranty

For more information, please download the
BL LIGHTING catalogue

BL LIGHTING. ILLUMINATE EVERYTHING

111 - 8838 Heather St. Vancouver, BC, Canada. V6P 3S8
P: 1-604-874-4405 F: 1-604-321-0445 E: info@bllighting.com
Copyright © 2017 BL INNOVATIVE LIGHTING. All Rights Reserved.

bllighting.com

