

BL flexFORM

Flexible, Linear LED Strip Lighting, Side-Emitting Monochromatic, 24VDC, Constant Voltage

SE Series

Printed



Certification



Lighting



Lamp	LED, SMD 335, 36 Diodes/FT
CRI	92
Load	3W/FT
Beam Angle	120°
Average Life	50,000 Hours
Lumens	208 lm/FT (3000k)
Efficacy	69 lm/W (3000K)

Electrical

Control	0-10V, MLV
Input Voltage	24VDC
Max Input Current	5A
Connections	20AWG, Copper Conductors
Operating Temperature	-4°F to 104°F (-20°C to 40°C)
Circuit	Class 2

Mechanical

Housing Construction	Flexible PCB Board, Silicone Jacket
Cutting Increments	1 - 31/32" (5cm)
Maximum Run Length	16' - 4" (5M)
Medial Bend Radius	1.5" (38mm)
Environmental	IP65
Mounting	Clip, Adhesive, Double Sided Tape

Accessories

BL flexFORM SE TK	Termination Kit, Factory Installed
BL flexFORM SE JC	Jumper Cable, Factory Installed

PROJECT

CLIENT

TYPE

Solid State Lighting is sensitive to power fluctuations
Surge protection is highly recommended for all LED lighting products and should be on a designated circuit to protect against premature failure
Lack of surge protection may void your warranty

For more information, please download the
BL LIGHTING catalogue

BL LIGHTING. ILLUMINATE EVERYTHING

111 - 8838 Heather St. Vancouver, BC, Canada. V6P 3S8
P: 1-604-874-4405 F: 1-604-321-0445 E: info@bllighting.com
Copyright © 2017 BL INNOVATIVE LIGHTING. All Rights Reserved.

bllighting.com



BL fixFORM

Flexible, Linear LED Strip Lighting, Side-Emitting
Monochromatic, 24VDC, Constant Voltage

SE Series

Printed

Performance

CCT/Color	Load	Lumens	Efficacy
3000K	3.00 W/FT	208 lm/FT	69 lm/W
Blue	3.00 W/FT	25 lm/FT	8.3 lm/W

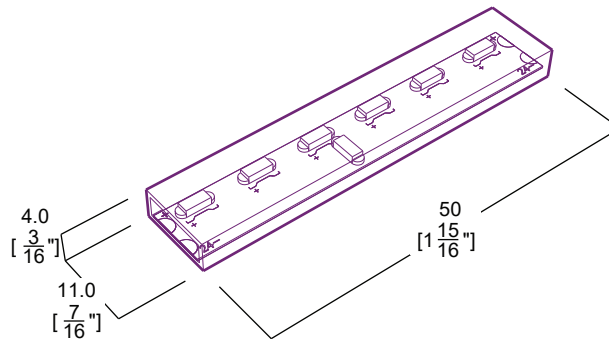
Ordering

Series	CCT/Color	Ingress Protection
BL flexFORM SE	<input type="text"/> 30 = 3000K BE = Blue	<input type="text"/> 65 = IP65

Lead Orientations



Dimensions



PROJECT <input type="text"/>	CLIENT <input type="text"/>	TYPE <input type="text"/>
------------------------------	-----------------------------	---------------------------

Solid State Lighting is sensitive to power fluctuations
Surge protection is highly recommended for all LED lighting products and should be on a designated circuit to protect against premature failure
Lack of surge protection may void your warranty

For more information, please download the
BL LIGHTING catalogue

BL LIGHTING. ILLUMINATE EVERYTHING

111 - 8838 Heather St. Vancouver, BC, Canada. V6P 3S8
P: 1-604-874-4405 F: 1-604-321-0445 E: info@bllighting.com
Copyright © 2017 BL INNOVATIVE LIGHTING. All Rights Reserved.

bllighting.com

