

BL areaFLOOD

High Power DMX Controlled LED Projector
80W, 24VDC, Constant Voltage

BX2341

Printed



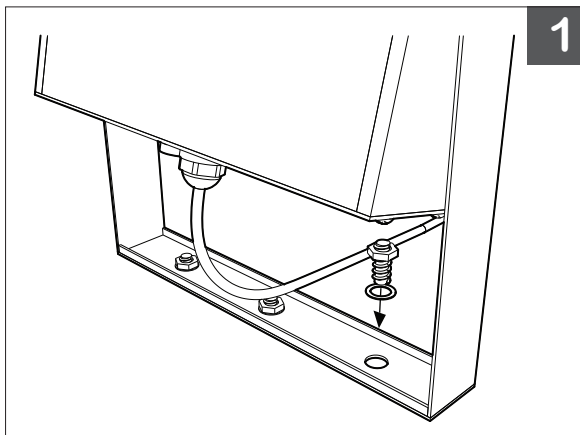
Please note that these instructions are guidelines only and in no way supersede any construction or installation standards.

ATTENTION

- There is potential danger of electrical shock when operating electrical components.
- Make sure power is turned off before installation.
- Allow for heat dissipation and adequate ventilation.

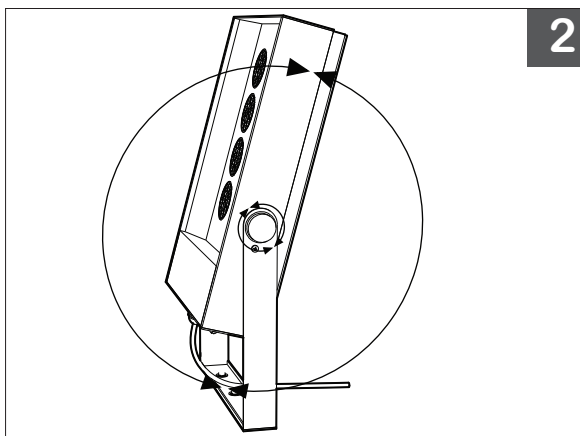
Local building and electrical codes should be consulted before installation.

SURFACE MOUNT
Mountable base with 180° Adjustable Bracket



1.

- A. Hold **BX2341 Series** firmly onto desired surface of install.
B. Fasten mounting base with bolts through mounting holes.



2.

- A. Loosen grip bolt on adjustable bracket, and swivel luminaire head as required.
B. Tighten bolt to secure angle.

PROJECT

CLIENT

TYPE

Solid State Lighting is sensitive to power fluctuations
Surge protection is highly recommended for all LED lighting products and should be on a designated circuit to protect against premature failure
Lack of surge protection may void your warranty

For more information, please download the
BL LIGHTING catalogue

BL LIGHTING. ILLUMINATE EVERYTHING

111 - 8838 Heather St. Vancouver, BC, Canada. V6P 3S8
P: 1-604-874-4405 F: 1-604-321-0445 E: info@bllighting.com
Copyright © 2017 BL INNOVATIVE LIGHTING. All Rights Reserved.

bllighting.com

