

BL driveLINE AE Series

Dimming LED Driver (0-10V)
100W, 24VAC Constant Voltage

100

Printed



Certification



Electrical

Input Voltage	100-277 VAC
Input Frequency	50/60 Hz
Max Input Current	100VAC - 0.98A, 277VAC - 0.42A
Output Voltage	24VAC, Constant Voltage
Load	100W
Max Current	4A
Connections	18 AWG, Copper Conductors
Operating Temperature	-4°F to 127°F (-20°C to 40°C)
Circuit	Class 2

Mechanical

Housing Construction	Metal
Weight	898g (1.98lb)
Environmental	IP20

PROJECT

CLIENT

TYPE

Solid State Lighting is sensitive to power fluctuations
Surge protection is highly recommended for all LED lighting products and should be on a designated circuit to protect against premature failure
Lack of surge protection may void your warranty

For more information, please download the
BL LIGHTING catalogue

BL LIGHTING. ILLUMINATE EVERYTHING

111 - 8838 Heather St. Vancouver, BC, Canada, V6P 3S8
P: 1-604-874-4405 F: 1-604-321-0445 E: info@bllighting.com
Copyright © 2017 BL INNOVATIVE LIGHTING. All Rights Reserved.

bllighting.com



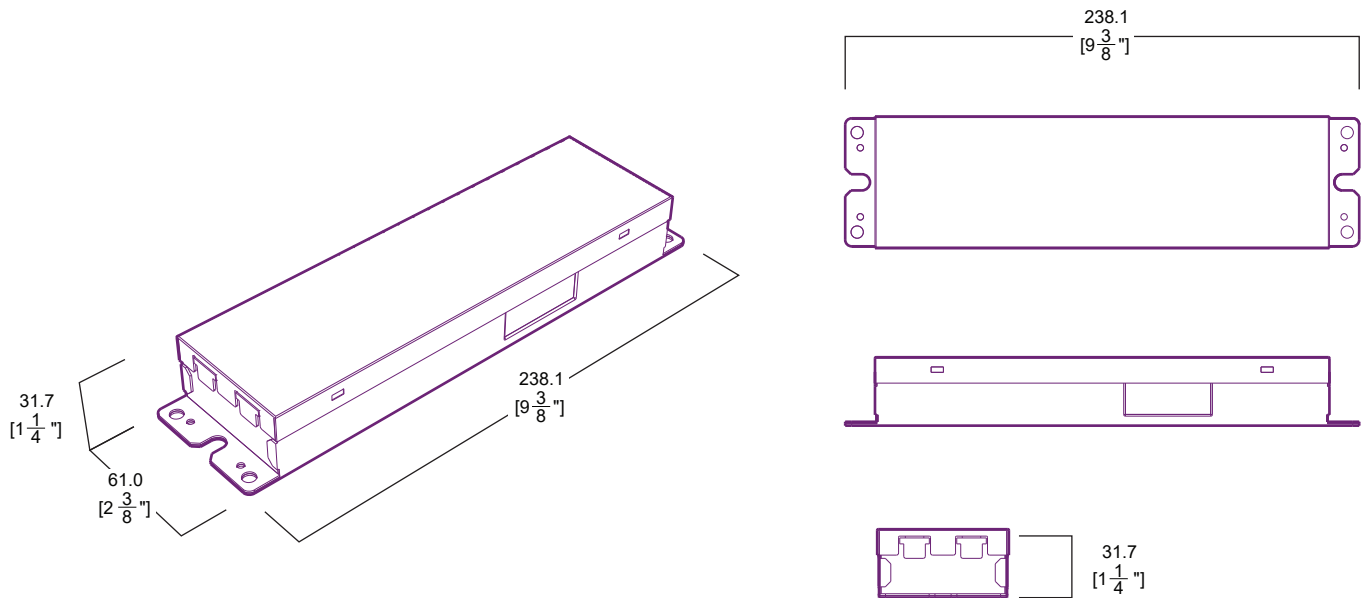
BL driveLINE AE Series

Dimming LED Driver (0-10V)
100W, 24VAC Constant Voltage

100

Printed

Dimensions



PROJECT

CLIENT

TYPE

Solid State Lighting is sensitive to power fluctuations
Surge protection is highly recommended for all LED lighting products and should be on a designated circuit to protect against premature failure
Lack of surge protection may void your warranty

For more information, please download the
BL LIGHTING catalogue

BL LIGHTING. ILLUMINATE EVERYTHING

111 - 8838 Heather St. Vancouver, BC, Canada. V6P 3S8
P: 1-604-874-4405 F: 1-604-321-0445 E: info@bllighting.com
Copyright © 2017 BL INNOVATIVE LIGHTING. All Rights Reserved.

bllighting.com

