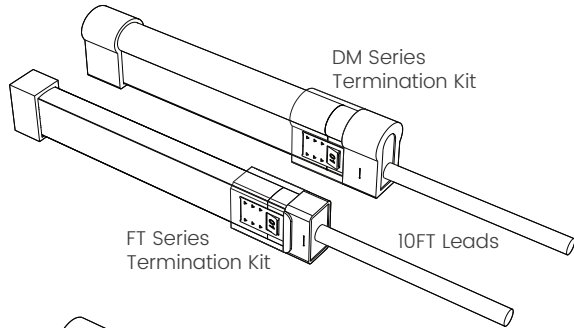


BL neonVIEW Accessories

Diffused, Flexible, Linear LED Strip Lighting
Accessories

NVTK65

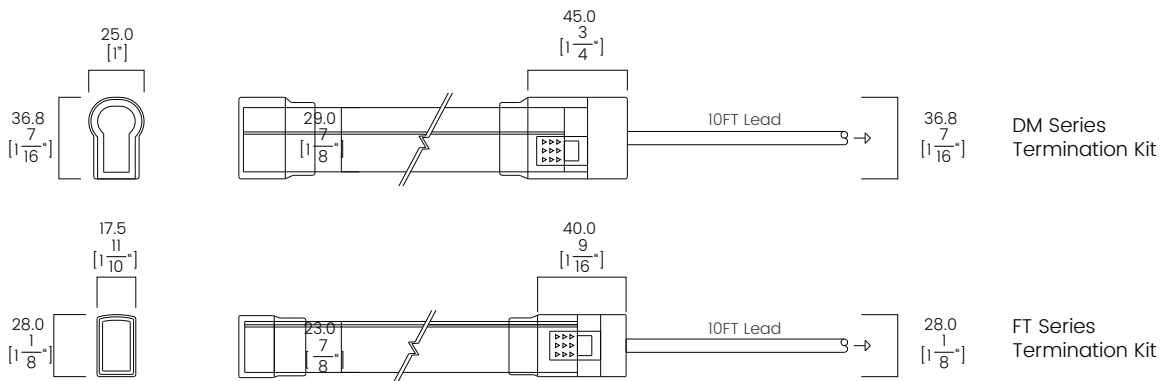
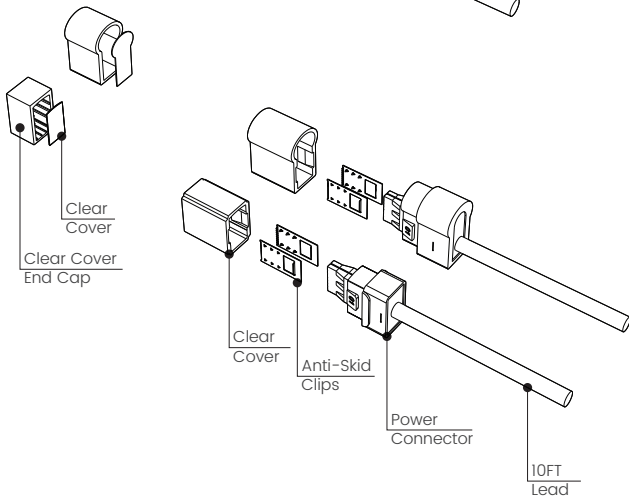
Printed



NVTK65

Termination Kit for BL neonVIEW DM, FT or IC Series, 10FT Leads Installed, IP65

Housing Construction	White PVC
Connections	18AWG, Copper Conductors
Operating Temperature	-4°F to 104°F (-20°C to 40°C)
Circuit	Class 2
Lead Length	10'
Environmental	IP65



PROJECT

CLIENT

TYPE

Solid State Lighting is sensitive to power fluctuations
Surge protection is highly recommended for all LED lighting products and should be on a designated circuit to protect against premature failure
Lack of surge protection may void your warranty

For more information, please download the
BL LIGHTING catalogue

BL LIGHTING. ILLUMINATE EVERYTHING

111 - 8838 Heather St. Vancouver, BC, Canada. V6P 3S8
P: 1-604-874-4405 F: 1-604-321-0445 E: info@blighting.com
Copyright © 2017 BL INNOVATIVE LIGHTING. All Rights Reserved.

blighting.com

