

BL spotGLOBE

Customizable LED String Light
24VDC, Constant Voltage

LED Series

Printed



Certification



Lighting



Lamp	LED, Frosted Optic
Load	0.75W
Average Life	15,000 Hours
Lumens	43 - 50 lm/Lamp
Efficacy	57 - 67 lm/W

Electrical

Control	0-10V, MLV
Input Voltage	24VDC
Max Input Current	5A, Maximum 130 Lamps per Series
Connections	16AWG, Copper Conductors
Operating Temperature	-4°F to 104°F (-20°C to 40°C)
Circuit	Class 2

Mechanical

Housing Construction	UV Stabilized Polycarbonate Globe
Base	E10
Weight	0.049lb (22g)
Environmental	IP65
Mounting	Insulated Clip, Aircraft Cable
Lamp Spacing	3", 4", 6", 9", 12", 18", 24"

PROJECT

CLIENT

TYPE

Solid State Lighting is sensitive to power fluctuations
Surge protection is highly recommended for all LED lighting products and should be on a designated circuit to protect against premature failure
Lack of surge protection may void your warranty

For more information, please download the
BL LIGHTING catalogue

BL LIGHTING. ILLUMINATE EVERYTHING

111 - 8838 Heather St. Vancouver, BC, Canada. V6P 3S8
P: 1-604-874-4405 F: 1-604-321-0445 E: info@bllighting.com
Copyright © 2017 BL INNOVATIVE LIGHTING. All Rights Reserved.

bllighting.com



BL spotGLOBE

Customizable LED String Light
24VDC, Constant Voltage

LED Series

Printed

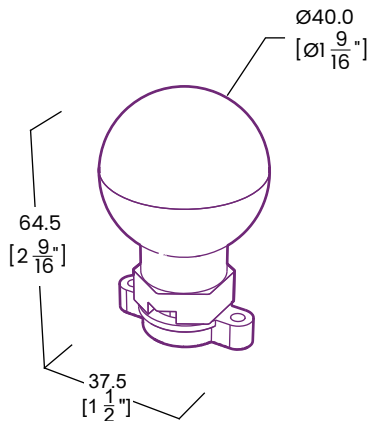
Performance

CCT/Color	Load	Lumens	Efficacy
2400K	0.75 W/LAMP	43 lm/LAMP	57 lm/W
3200K	0.75 W/LAMP	43 lm/LAMP	57 lm/W
6000K	0.75 W/LAMP	50 lm/LAMP	67 lm/W

Ordering

Series	CCT/Color	Lamp Spacing/Max. Length
BL spotGLOBE LED	<input type="text"/>	<input type="text"/>
	24 = 2400K 32 = 3200K 60 = 6000K	03 = 3" o.c. 32 ft 04 = 4" o.c. 43 ft 06 = 6" o.c. 65 ft 09 = 9" o.c. 80 ft 12 = 12" o.c. 93 ft 18 = 18" o.c. 112 ft 24 = 24" o.c. 130 ft

Dimensions



PROJECT

CLIENT

TYPE

Solid State Lighting is sensitive to power fluctuations
Surge protection is highly recommended for all LED lighting products and should be on a designated circuit to protect against premature failure
Lack of surge protection may void your warranty

For more information, please download the
BL LIGHTING catalogue

BL LIGHTING. ILLUMINATE EVERYTHING

111 - 8838 Heather St. Vancouver, BC, Canada. V6P 3S8
P: 1-604-874-4405 F: 1-604-321-0445 E: info@blighting.com
Copyright © 2017 BL INNOVATIVE LIGHTING. All Rights Reserved.

blighting.com

