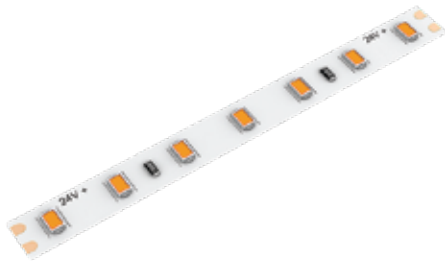


BL flexFORM

Flexible, Linear LED Strip Lighting
Monochromatic, 24VDC, Constant Voltage

N2 Series

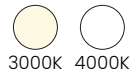
Printed



Certification



Lighting



Lamp	LED, SMD 3528, 18 Diodes/FT
CRI	94
Load	1.85W/FT
Beam Angle	120°
Average Life	50,000 Hours
Lumens	183 lm/FT (4000k)
Efficacy	100 lm/W (4000k)

Electrical

Control	0-10V, MLV Dimming
Input Voltage	24VDC
Max Input Current	5A
Connections	20AWG, Copper Conductors
Operating Temperature	-4°F to 104°F (-20°C to 40°C)
Circuit	Class 2

Mechanical

Housing Construction	Flexible PCB Board, Silicone Jacket
Cutting Increments	1.97" (50mm)
Maximum Run Length	32' - 8" (10M)
Environmental	IP20, IP65
Mounting	Adhesive, Compatible with BL flexFORM Series

Accessories

BL flexFORM NSTK	Termination Kit, Factory Installed
BL flexFORM NSJC	Jumper Cable, Factory Installed
BL flexFORM SFNS	Surface Mount Extrusion with Lens
BL flexFORM SFNT	Surface Mount Track

PROJECT

CLIENT

TYPE

Solid State Lighting is sensitive to power fluctuations
Surge protection is highly recommended for all LED lighting products and should be on a designated circuit to protect against premature failure
Lack of surge protection may void your warranty

For more information, please download the
BL LIGHTING catalogue

BL LIGHTING. ILLUMINATE EVERYTHING

111 - 8838 Heather St. Vancouver, BC, Canada. V6P 3S8
P: 1-604-874-4405 F: 1-604-321-0445 E: info@bllighting.com
Copyright © 2017 BL INNOVATIVE LIGHTING. All Rights Reserved.

bllighting.com



BL flexFORM

Flexible, Linear LED Strip Lighting
Monochromatic, 24VDC, Constant Voltage

N2 Series

Printed

Performance

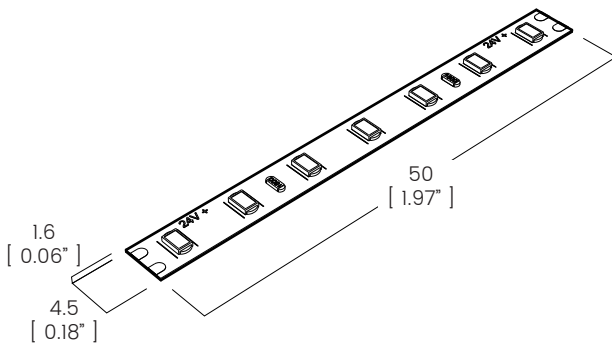
CCT/Color	Load	Lumens	Efficacy
3000K	1.85 W/FT	180 lm/FT	98 lm/W
4000K	1.85 W/FT	183 lm/FT	100 lm/W

Ordering

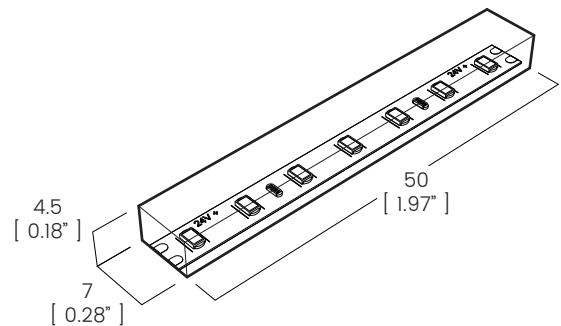
Series	CCT/Color	Ingress Protection
BL flexFORM N2	<input type="text"/> 30 = 3000K 40 = 4000K	<input type="text"/> 20 = IP20 65 = IP65

Dimensions

IP20



IP65



PROJECT CLIENT TYPE

Solid State Lighting is sensitive to power fluctuations
Surge protection is highly recommended for all LED lighting products and should be on a designated circuit to protect against premature failure
Lack of surge protection may void your warranty

For more information, please download the
BL LIGHTING catalogue

BL LIGHTING. ILLUMINATE EVERYTHING

111 - 8838 Heather St. Vancouver, BC, Canada. V6P 3S8
P: 1-604-874-4405 F: 1-604-321-0445 E: info@bllighting.com
Copyright © 2017 BL INNOVATIVE LIGHTING. All Rights Reserved.

bllighting.com

