

BL spotGLOBE

Customizable LED String Light
24VDC, Constant Voltage

LED Series

Printed



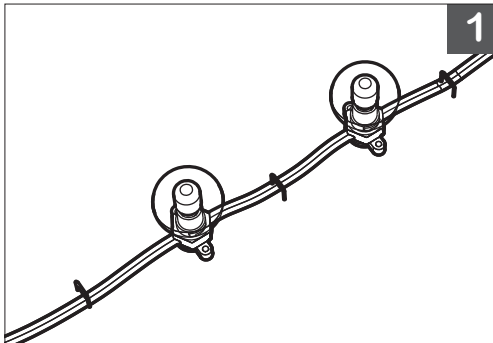
Please note that these instructions are guidelines only and in no way supersede any construction or installation standards.

Local building and electrical codes should be consulted before installation.

ATTENTION

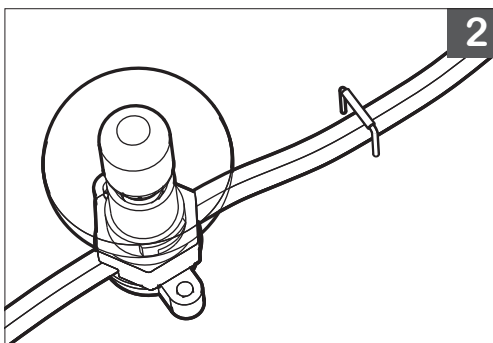
- There is potential danger of electrical shock when operating electrical components.
- Make sure power is turned off before installation.
- Allow for heat dissipation and adequate ventilation.

SURFACE



1. Ensure that **BL spotGLOBE** wire is taut and controlled to mounting surface before permanently mounting.

NOTE: Mounting Accessories are not included.



2. Use Insulated Wire Clips when installing **BL spotGLOBE**. For a secure harness, please use a minimum of two clips per foot.

IMPORTANT: Do not install clips through wire. All clips must be mounted evenly and accurately.

PROJECT

CLIENT

TYPE

Solid State Lighting is sensitive to power fluctuations
Surge protection is highly recommended for all LED lighting products and should be on a designated circuit to protect against premature failure
Lack of surge protection may void your warranty

For more information, please download the **BL LIGHTING** catalogue

BL LIGHTING. ILLUMINATE EVERYTHING

111 - 8838 Heather St. Vancouver, BC, Canada. V6P 3S8
P: 1-604-874-4405 F: 1-604-321-0445 E: info@bllighting.com
Copyright © 2017 BL INNOVATIVE LIGHTING. All Rights Reserved.

bllighting.com



BL spotGLOBE

Customizable LED String Light
24VDC, Constant Voltage

LED Series

Printed



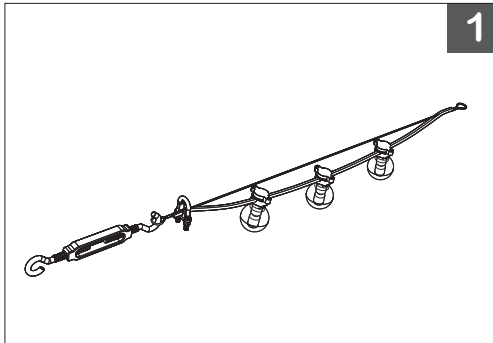
Please note that these instructions are guidelines only and in no way supersede any construction or installation standards.

Local building and electrical codes should be consulted before installation.

ATTENTION

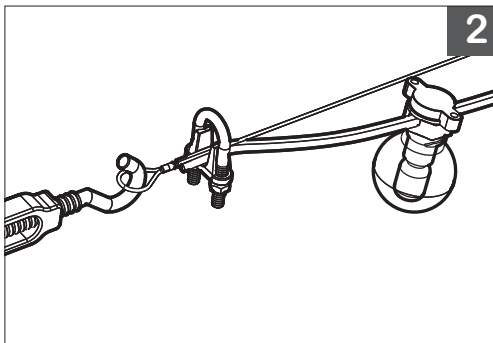
- There is potential danger of electrical shock when operating electrical components.
- Make sure power is turned off before installation.
- Allow for heat dissipation and adequate ventilation.

SUSPENDED



1. When assembling the Suspension Kit, fasten the **BL spotGLOBE** wire into the assembly with Clamps.

NOTE: Mounting Accessories are not included. Suspension components and system may vary.



2. The Aircraft Cable should have a minimum 1/8th (3mm) diameter to handle weight of **BL spotGLOBE** up to 100'.

IMPORTANT: Before suspending the lighting, please guarantee that **BL spotGLOBE** wire is securely fixed with a Strain Relief at the Power Box - the wire may not be strong enough to bear the weight over long distance.

PROJECT

CLIENT

TYPE

Solid State Lighting is sensitive to power fluctuations
Surge protection is highly recommended for all LED lighting products and should be on a designated circuit to protect against premature failure
Lack of surge protection may void your warranty

For more information, please download the **BL LIGHTING** catalogue

BL LIGHTING. ILLUMINATE EVERYTHING

111 - 8838 Heather St. Vancouver, BC, Canada. V6P 3S8
P: 1-604-874-4405 F: 1-604-321-0445 E: info@bllighting.com
Copyright © 2017 BL INNOVATIVE LIGHTING. All Rights Reserved.

bllighting.com

