

**BL fixFORM**

Indoor Low-Voltage Suspension Kit  
Designed for use with **BL fixFORM** Series

**SPK**

Printed



**Certification**



**Electrical**

Size	18 AWG
Rated Voltage	300V
Max. Input Current	8A
Operating Temperature	194°F (90°C)
Conductor Material	Tinned copper conductor

**Mechanical**

Housing Construction	Anodized Aluminium Hangers Hex Bolt Fastener
Environmental	IP20
Cable Length	(x2) 6ft
Jacket Material	PVC
Jacket Thickness	0.45
Jacket Diameter	2.7
Insulation Material	FEP
Insulation Thickness	0.31
Insulation Diameter	1.52

PROJECT

CLIENT

TYPE

Solid State Lighting is sensitive to power fluctuations  
Surge protection is highly recommended for all LED lighting products and should be on a designated circuit to protect against premature failure  
Lack of surge protection may void your warranty

For more information, please download the  
**BL LIGHTING** catalog

**BL LIGHTING. ILLUMINATE EVERYTHING**

111 - 8838 Heather St. Vancouver, BC, Canada. V6P 3S8  
P: 1-604-874-4405 F: 1-604-321-0445 E: info@bllighting.com  
Copyright © 2017 BL INNOVATIVE LIGHTING. All Rights Reserved.

**bllighting.com**



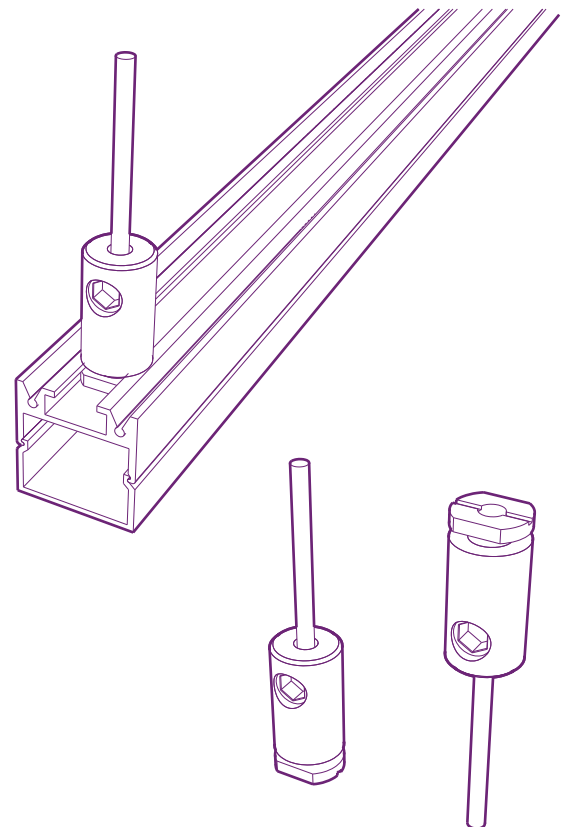
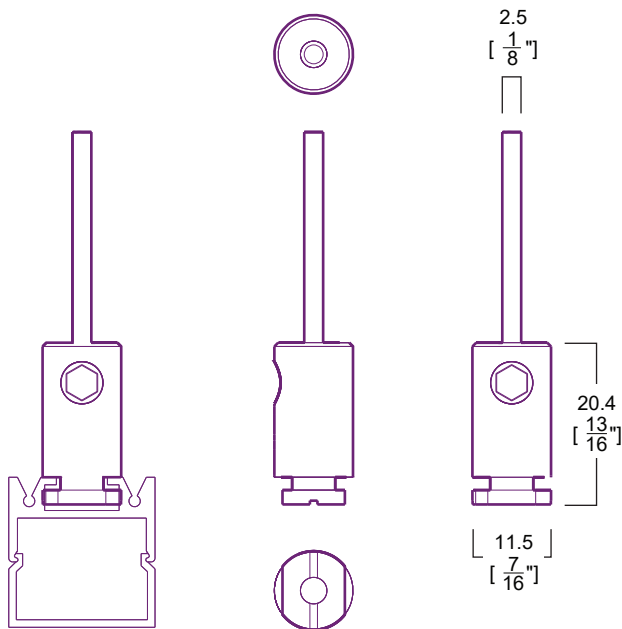
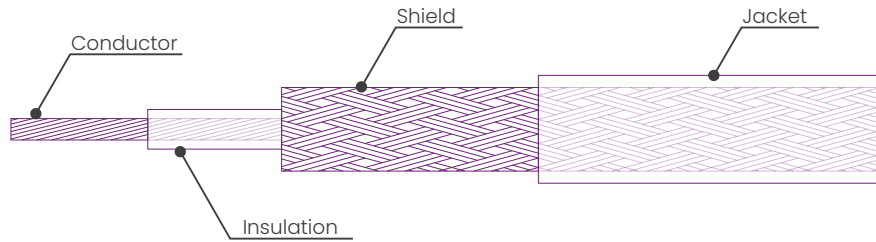
**BL fixFORM**

Indoor Low-Voltage Suspension Kit  
Designed for use with **BL fixFORM** Series

**SPK**

Printed

**Dimensions**



PROJECT

CLIENT

TYPE

Solid State Lighting is sensitive to power fluctuations  
Surge protection is highly recommended for all LED lighting products and should be on a designated circuit to protect against premature failure  
Lack of surge protection may void your warranty

For more information, please download the  
**BL LIGHTING** catalog

**BL LIGHTING. ILLUMINATE EVERYTHING**

111 - 8838 Heather St. Vancouver, BC, Canada. V6P 3S8  
P: 1-604-874-4405 F: 1-604-321-0445 E: info@blighting.com  
Copyright © 2017 BL INNOVATIVE LIGHTING. All Rights Reserved.

**blighting.com**

