

BL fixFORM SF Series

Indoor Step Aluminium Extrusion
Designed for use with **BL flexFORM D2 Series**

ST

Printed



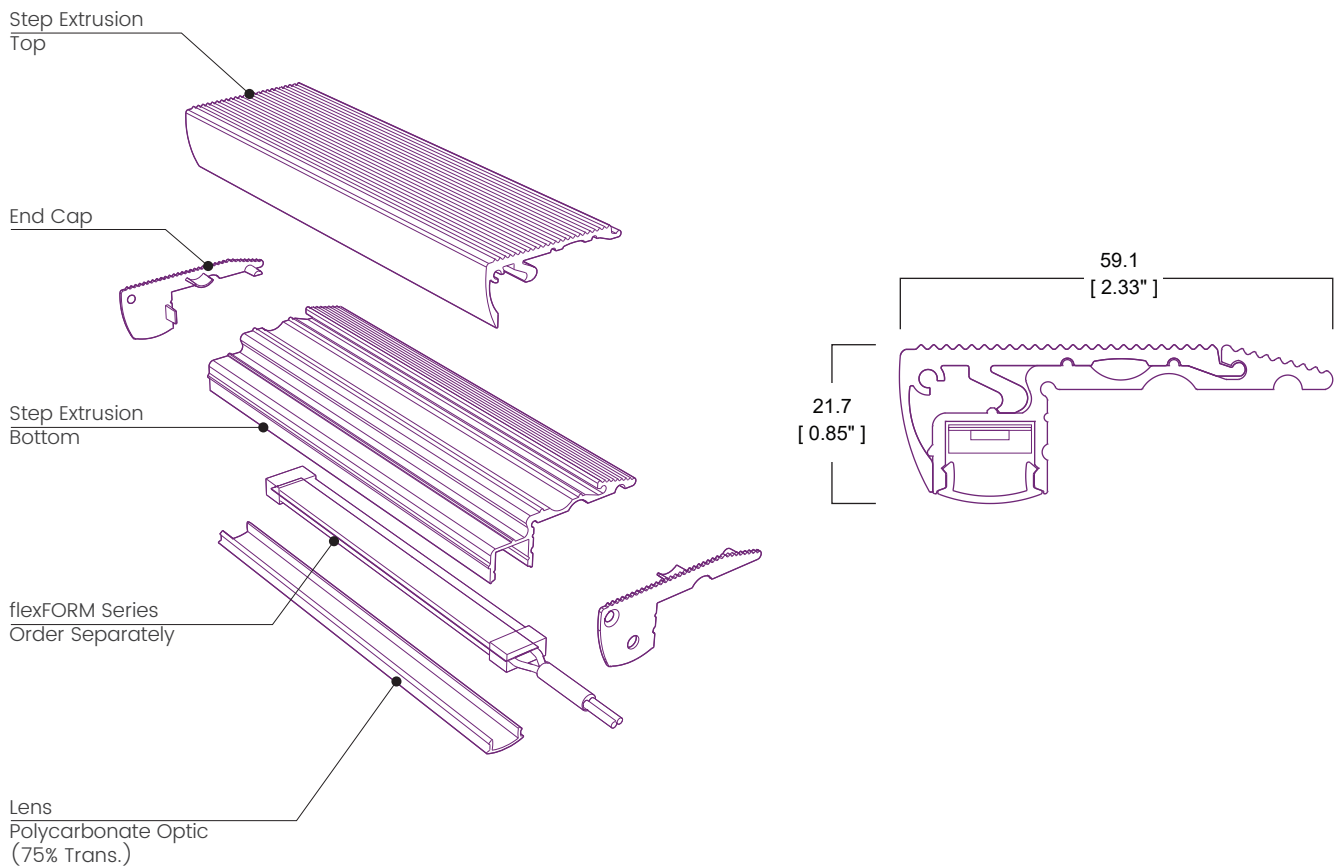
Please note that these instructions are guidelines only and in no way supersede any construction or installation standards.

ATTENTION

- There is potential danger of electrical shock when operating electrical components.
- Make sure power is turned off before installation.
- Allow for heat dissipation and adequate ventilation.

Local building and electrical codes should be consulted before installation.

Components:



PROJECT

CLIENT

TYPE

Solid State Lighting is sensitive to power fluctuations
Surge protection is highly recommended for all LED lighting products and should be on a designated circuit to protect against premature failure
Lack of surge protection may void your warranty

For more information, please download the **BL LIGHTING** catalogue

BL LIGHTING. ILLUMINATE EVERYTHING

111 - 8838 Heather St. Vancouver, BC, Canada. V6P 3S8
P: 1-604-874-4405 F: 1-604-321-0445 E: info@bllighting.com
Copyright © 2017 BL INNOVATIVE LIGHTING. All Rights Reserved.

bllighting.com



BL fixFORM SF Series

Indoor Step Aluminium Extrusion
Designed for use with **BL flexFORM D2 Series**

ST

Printed

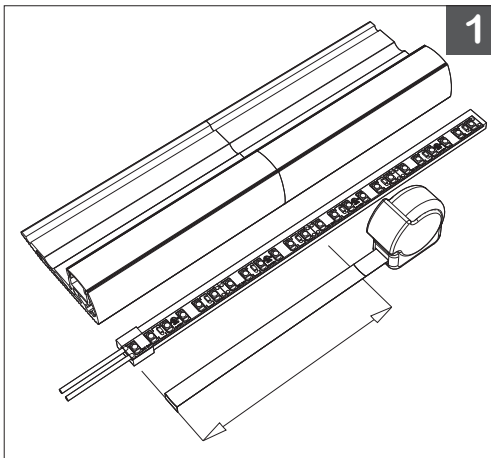


Please note that these instructions are guidelines only and in no way supersede any construction or installation standards.

Local building and electrical codes should be consulted before installation.

ATTENTION

- There is potential danger of electrical shock when operating electrical components.
- Make sure power is turned off before installation.
- Allow for heat dissipation and adequate ventilation.

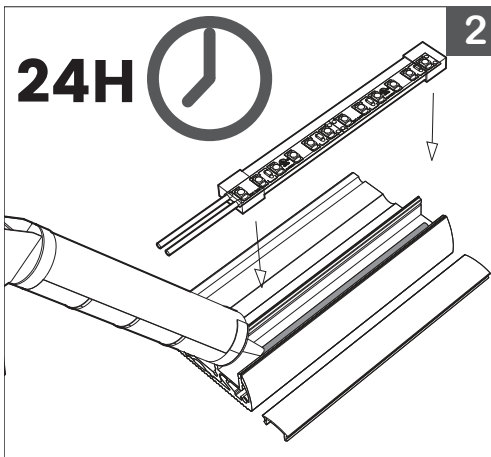


1.

- A. Measure **BL fixFORM SFST** in parallel with **BL flexFORM D2 Series** to guarantee accurate coupling of components.
- B. Cut **BL fixFORM step light**.

TIP: Cut **BL fixFORM SFST** lens and bottom extrusion simultaneously.

Cut top extrusion separately.



2.

- A. Evenly bead adhesive along surface of **BL fixFORM SFST** bottom extrusion track.
- B. Mount **BL flexFORM SFST** into bottom extrusion track.

IMPORTANT: Ensure surface is clean and dry before applying adhesive.

Allow adhesive to cure for 24 hours before installation.

PROJECT

CLIENT

TYPE

Solid State Lighting is sensitive to power fluctuations
Surge protection is highly recommended for all LED lighting products and should be on a designated circuit to protect against premature failure
Lack of surge protection may void your warranty

For more information, please download the **BL LIGHTING** catalogue

BL LIGHTING. ILLUMINATE EVERYTHING

111 - 8838 Heather St. Vancouver, BC, Canada. V6P 3S8
P: 1-604-874-4405 F: 1-604-321-0445 E: info@bllighting.com
Copyright © 2017 BL INNOVATIVE LIGHTING. All Rights Reserved.

bllighting.com



BL fixFORM SF Series

Indoor Step Aluminium Extrusion
Designed for use with **BL flexFORM D2 Series**

ST

Printed

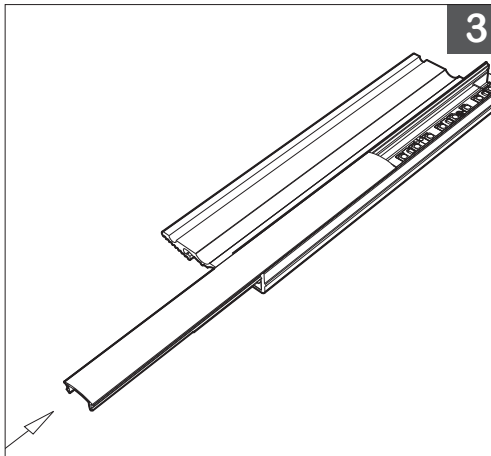


Please note that these instructions are guidelines only and in no way supersede any construction or installation standards.

Local building and electrical codes should be consulted before installation.

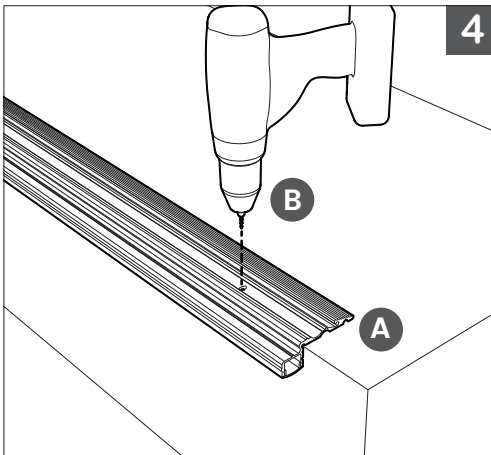
ATTENTION

- There is potential danger of electrical shock when operating electrical components.
- Make sure power is turned off before installation.
- Allow for heat dissipation and adequate ventilation.



3.

Insert the lens into the bottom extrusion.



4.

A. Place the bottom extrusion track on to the step.

B. Drill mounting holes into the track.

TIP: It is recommended to place a mounting hole near the edges of the extrusion. Mounting holes should be no more than 2ft apart.

PROJECT

CLIENT

TYPE

Solid State Lighting is sensitive to power fluctuations
Surge protection is highly recommended for all LED lighting products and should be on a designated circuit to protect against premature failure
Lack of surge protection may void your warranty

For more information, please download the
BL LIGHTING catalogue

BL LIGHTING. ILLUMINATE EVERYTHING

111 - 8838 Heather St. Vancouver, BC, Canada. V6P 3S8
P: 1-604-874-4405 F: 1-604-321-0445 E: info@bllighting.com
Copyright © 2017 BL INNOVATIVE LIGHTING. All Rights Reserved.

bllighting.com



BL fixFORM SF Series

Indoor Step Aluminium Extrusion
Designed for use with **BL flexFORM D2 Series**

ST

Printed

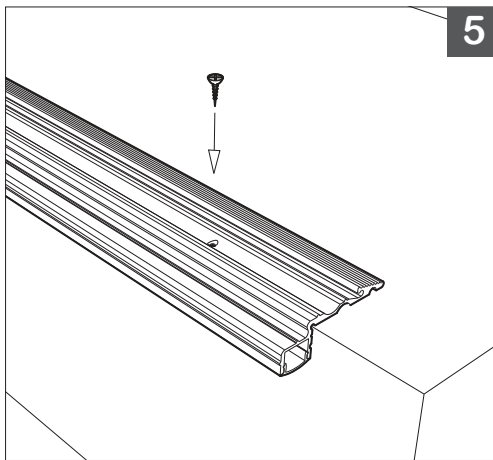


Please note that these instructions are guidelines only and in no way supersede any construction or installation standards.

ATTENTION

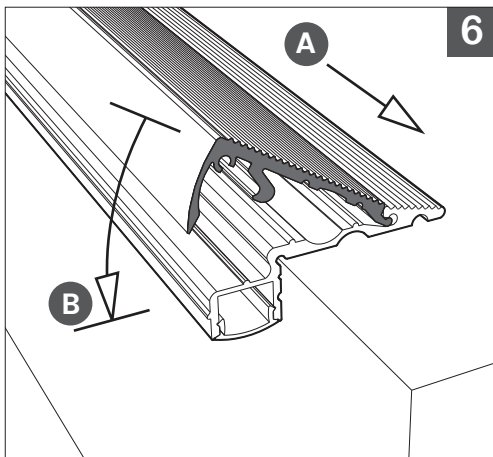
- There is potential danger of electrical shock when operating electrical components.
- Make sure power is turned off before installation.
- Allow for heat dissipation and adequate ventilation.

Local building and electrical codes should be consulted before installation.



5.

Utilize flush set screws to anchor extrusion to floor. Use an appropriate method of mounting the screws, depending on the material the step is made of (concrete, wood etc.).



6.

A. Insert the edge of the top extrusion track into the matching groove of the bottom extrusion track.

B. Apply downward pressure onto the top extrusion track until it snaps into the bottom extrusion track.

PROJECT

CLIENT

TYPE

Solid State Lighting is sensitive to power fluctuations
Surge protection is highly recommended for all LED lighting products and should be on a designated circuit to protect against premature failure
Lack of surge protection may void your warranty

For more information, please download the **BL LIGHTING** catalogue

BL LIGHTING. ILLUMINATE EVERYTHING

111 - 8838 Heather St. Vancouver, BC, Canada. V6P 3S8
P: 1-604-874-4405 F: 1-604-321-0445 E: info@bllighting.com
Copyright © 2017 BL INNOVATIVE LIGHTING. All Rights Reserved.

bllighting.com



BL fixFORM SF Series

Indoor Step Aluminium Extrusion
Designed for use with **BL flexFORM D2 Series**

ST

Printed

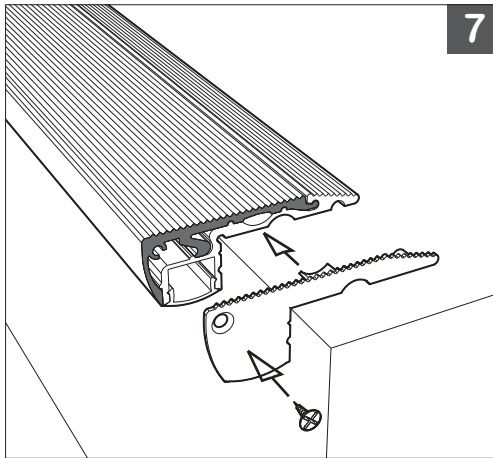


Please note that these instructions are guidelines only and in no way supersede any construction or installation standards.

Local building and electrical codes should be consulted before installation.

ATTENTION

- There is potential danger of electrical shock when operating electrical components.
- Make sure power is turned off before installation.
- Allow for heat dissipation and adequate ventilation.



7.

A. Feed the power leads through the designated hole on the end cap.

B. Insert and fasten the end caps to the top extrusion track with screws.

PROJECT

CLIENT

TYPE

Solid State Lighting is sensitive to power fluctuations
Surge protection is highly recommended for all LED lighting products and should be on a designated circuit to protect against premature failure
Lack of surge protection may void your warranty

For more information, please download the
BL LIGHTING catalogue

BL LIGHTING. ILLUMINATE EVERYTHING

111 - 8838 Heather St. Vancouver, BC, Canada. V6P 3S8
P: 1-604-874-4405 F: 1-604-321-0445 E: info@bllighting.com
Copyright © 2017 BL INNOVATIVE LIGHTING. All Rights Reserved.

bllighting.com

