

BL flexFORM

Flexible, Linear LED Strip Lighting
Monochromatic, 24VDC, Constant Voltage

N2 Series

Printed



Please note that these instructions are guidelines only and in no way supersede any construction or installation standards.

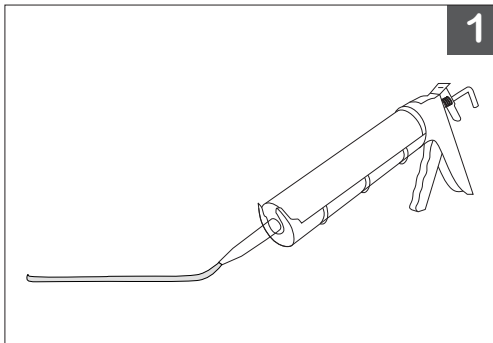
ATTENTION

- There is potential danger of electrical shock when operating electrical components.
- Make sure power is turned off before installation.
- Allow for heat dissipation and adequate ventilation.

Local building and electrical codes should be consulted before installation.

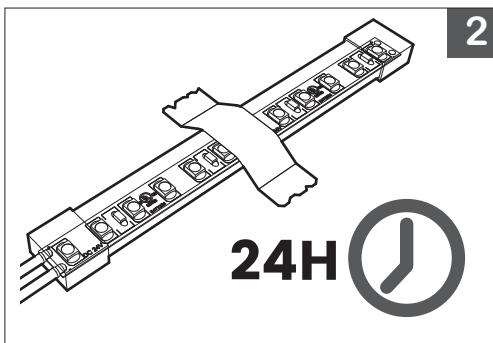
ADHESIVE

Ideal for smooth and/or delicate surfaces



1. Evenly bead adhesive to surface at require length.

IMPORTANT: Ensure surface is clean and dry before applying adhesive.



2.

- A. Firmly gel **BL flexFORM N2** into adhesive.
- B. Secure **BL flexFORM N2** into position with masking tape. Allow adhesive to cure (24 hours) before removing masking tape.

PROJECT

CLIENT

TYPE

Solid State Lighting is sensitive to power fluctuations
Surge protection is highly recommended for all LED lighting products and should be on a designated circuit to protect against premature failure
Lack of surge protection may void your warranty

For more information, please download the **BL LIGHTING** catalogue

BL LIGHTING. ILLUMINATE EVERYTHING

111 - 8838 Heather St. Vancouver, BC, Canada. V6P 3S8
P: 1-604-874-4405 F: 1-604-321-0445 E: info@bllighting.com
Copyright © 2017 BL INNOVATIVE LIGHTING. All Rights Reserved.

bllighting.com

