

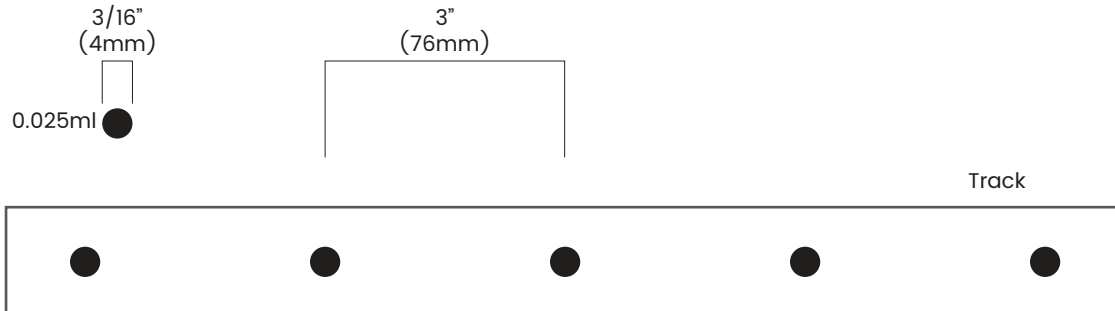
BL flexFORM

Adhesive for jacketed LED TAPE

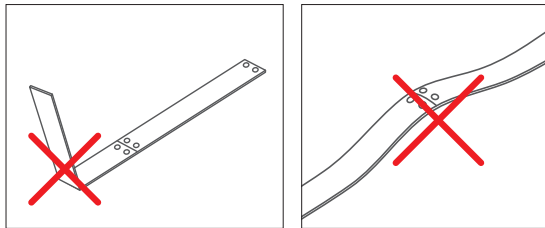
ADH406

Printed

Bond areas should be clean and free from grease.



Place a small dab (0.025ml) of adhesive onto the inside ridge of the BL flexFORM base track channel at 3" intervals.



Secure BL flexFORM LED TAPE gently along the length, without bending or pulling up. Bonds should be held in place until adhesive has fixtured. Masking tape may be used along the length of the LED for this purpose.



Product should be allowed to develop full strength before subjecting to any service loads (typically 24-72 hours after assembly, depending on bond gap, materials and ambient conditions).

Avoid contact with eyes, skin and clothing. Avoid breathing vapors or mists of this product. Wash thoroughly after handling. Wear protective gloves.

