

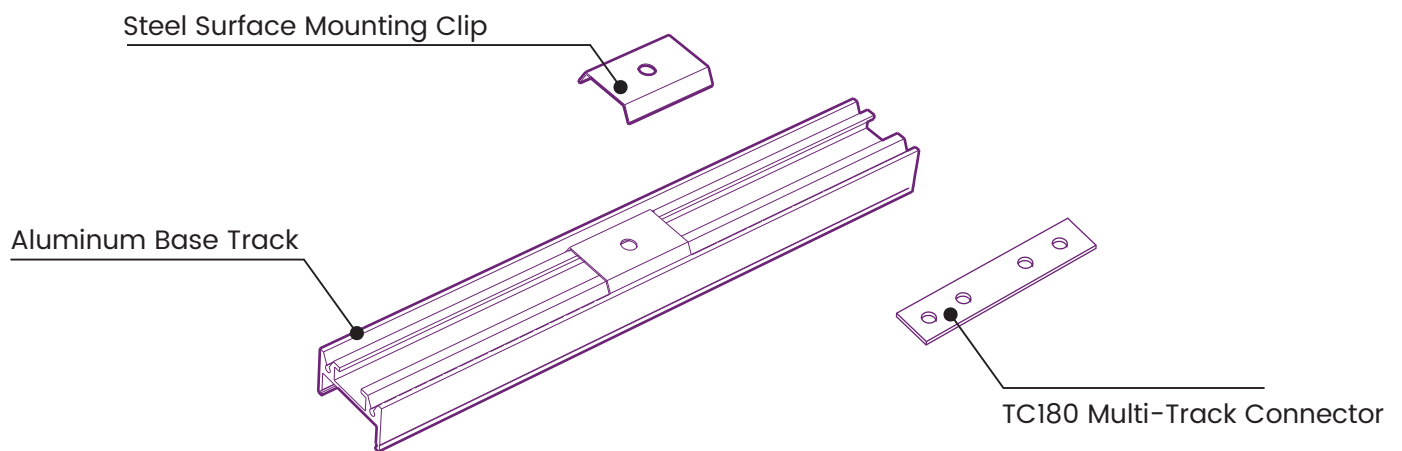
BL fixFORM SF

Indoor Surface Mount Aluminum Channel
Designed for use with **BL flexFORM** Series

Track

Printed

Components:



Each 6ft length of LED Profile is shipped complete with Mounting Clips and TC180 Multi-Track Connectors with hardware.

PROJECT <input type="text"/>	CLIENT <input type="text"/>	TYPE <input type="text"/>
------------------------------	-----------------------------	---------------------------

Solid State Lighting is sensitive to power fluctuations
Surge protection is highly recommended for all LED lighting products and should be on a designated circuit to protect against premature failure
Lack of surge protection may void your warranty

For more information, please download the **BL LIGHTING** catalogue

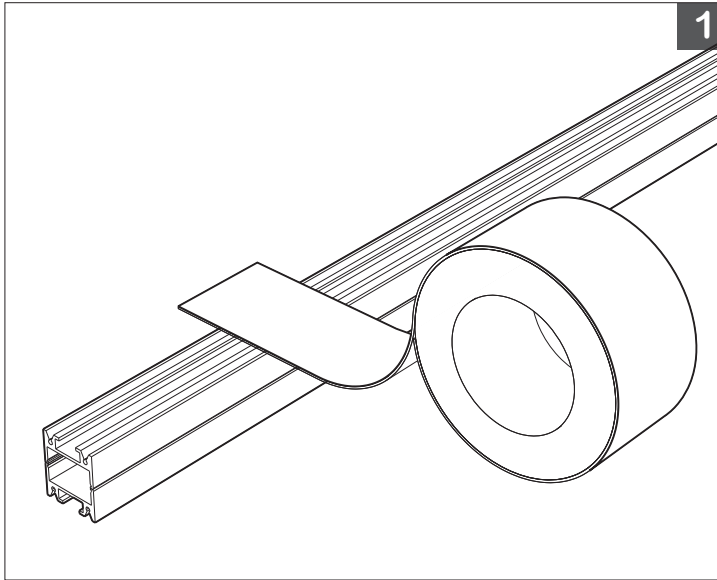


BL fixFORM SF

Indoor Surface Mount Aluminum Channel
Designed for use with **BL flexFORM** Series

Track

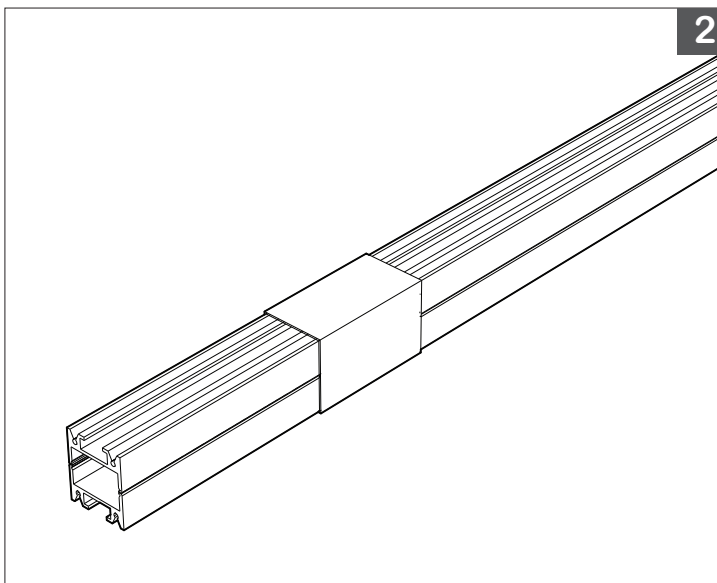
Printed



1, 2

For cutting multiple pieces to matching lengths, or to create 45° miter joints, prepare LED Profile by coupling Aluminum Profile base track and cut straight across or at the desired angle.

Tip: Securely wrap Aluminum Profile together with tape prior to cutting and initiate cut through backside of Aluminum Profile when cutting base track simultaneously



PROJECT

CLIENT

TYPE

Solid State Lighting is sensitive to power fluctuations
Surge protection is highly recommended for all LED lighting products and should be on a designated circuit to protect against premature failure
Lack of surge protection may void your warranty

For more information, please download the
BL LIGHTING catalogue

BL LIGHTING. ILLUMINATE EVERYTHING

111 - 8838 Heather St. Vancouver, BC, Canada. V6P 3S8
P: 1-604-874-4405 E: info@bllighting.com
BL INNOVATIVE LIGHTING. All Rights Reserved.

bllighting.com

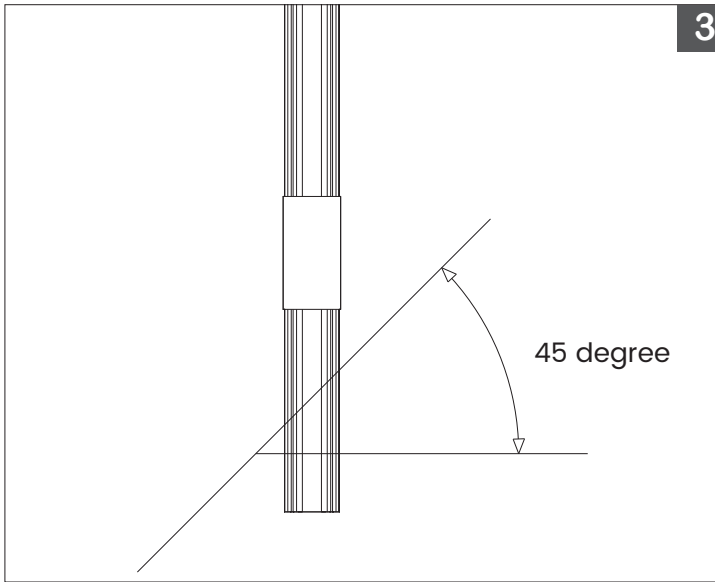


BL fixFORM SF

Indoor Surface Mount Aluminum Channel
Designed for use with **BL flexFORM** Series

Track

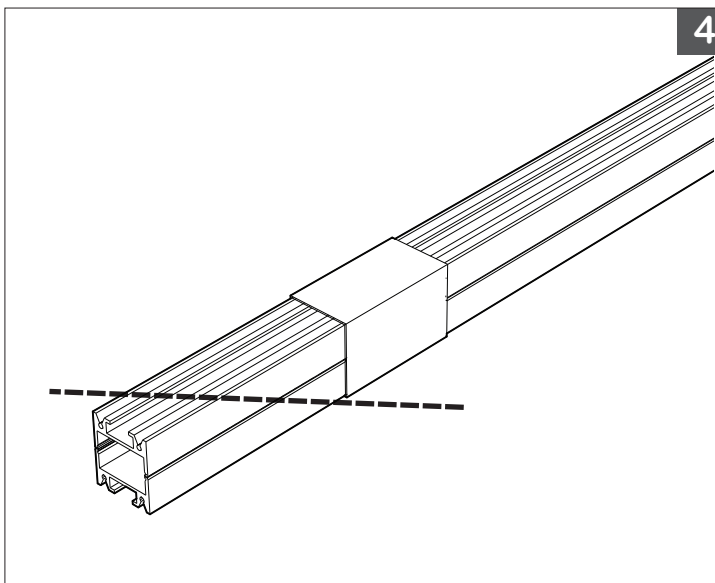
Printed



3

3, 4

Measure desired length and start the cut from the top Base Track piece.



4

PROJECT

CLIENT

TYPE

Solid State Lighting is sensitive to power fluctuations
Surge protection is highly recommended for all LED lighting products and should be on a designated circuit to protect against premature failure
Lack of surge protection may void your warranty

For more information, please download the
BL LIGHTING catalogue

BL LIGHTING. ILLUMINATE EVERYTHING

111 - 8838 Heather St. Vancouver, BC, Canada. V6P 3S8
P: 1-604-874-4405 E: info@bllighting.com
BL INNOVATIVE LIGHTING. All Rights Reserved.

bllighting.com

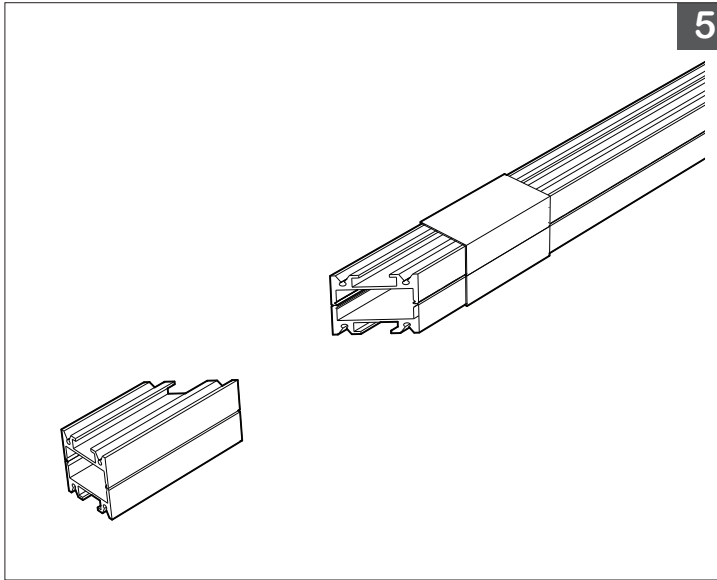


BL fixFORM SF

Indoor Surface Mount Aluminum Channel
Designed for use with **BL flexFORM** Series

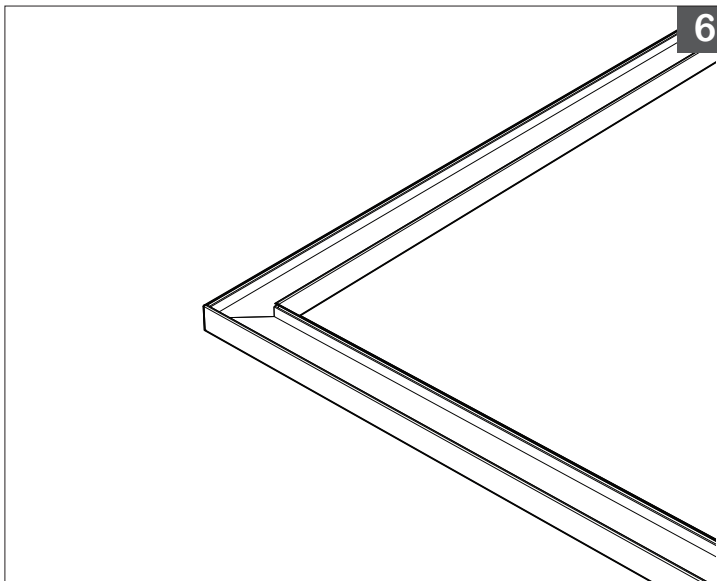
Track

Printed



5,6

Join both pieces together facing up for a perfect 45° corner piece.



PROJECT

CLIENT

TYPE

Solid State Lighting is sensitive to power fluctuations
Surge protection is highly recommended for all LED lighting products and should be on a designated circuit to protect against premature failure
Lack of surge protection may void your warranty

For more information, please download the
BL LIGHTING catalogue

BL LIGHTING. ILLUMINATE EVERYTHING

111 - 8838 Heather St. Vancouver, BC, Canada. V6P 3S8
P: 1-604-874-4405 E: info@bllighting.com
BL INNOVATIVE LIGHTING. All Rights Reserved.

bllighting.com

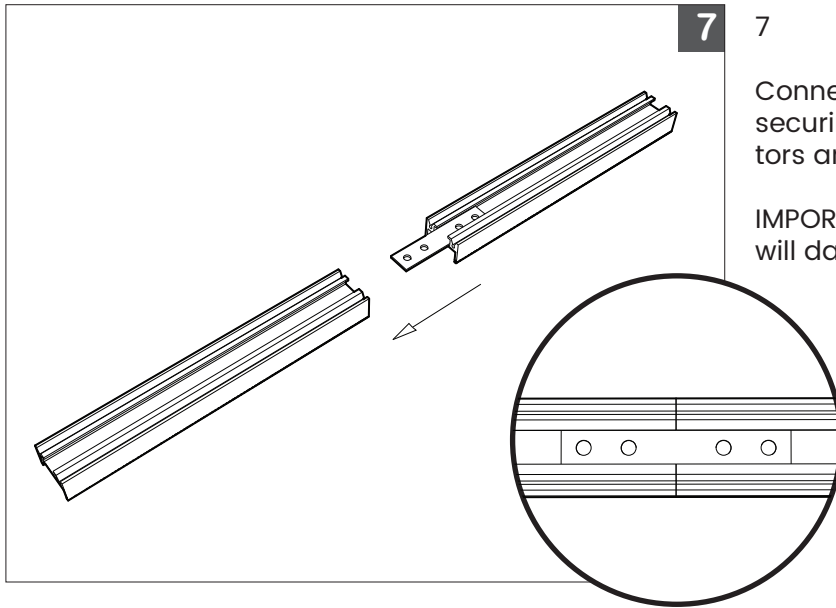


BL fixFORM SF

Indoor Surface Mount Aluminum Channel
Designed for use with **BL flexFORM** Series

Track

Printed



7 7

Connect multiple lengths of BL fixFORM SF by securing provided TC180 Multi-Track Connectors and Fasteners to underside of base track.

IMPORTANT: Over-tightening socket set screws will damage the LED Profile.

PROJECT

CLIENT

TYPE

Solid State Lighting is sensitive to power fluctuations
Surge protection is highly recommended for all LED lighting products and should be on a designated circuit to protect against premature failure
Lack of surge protection may void your warranty

For more information, please download the **BL LIGHTING** catalogue

BL LIGHTING. ILLUMINATE EVERYTHING

111 - 8838 Heather St. Vancouver, BC, Canada. V6P 3S8
P: 1-604-874-4405 E: info@bllighting.com
BL INNOVATIVE LIGHTING. All Rights Reserved.

bllighting.com

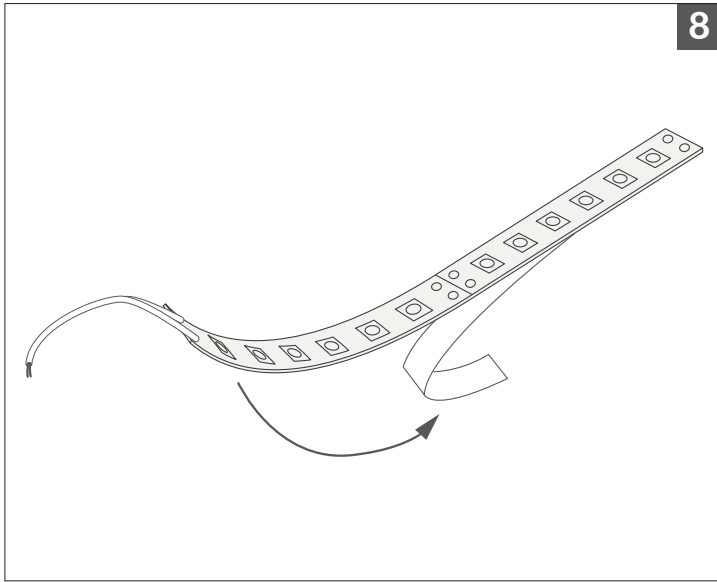


BL fixFORM SF

Indoor Surface Mount Aluminum Channel
Designed for use with **BL flexFORM** Series

Track

Printed

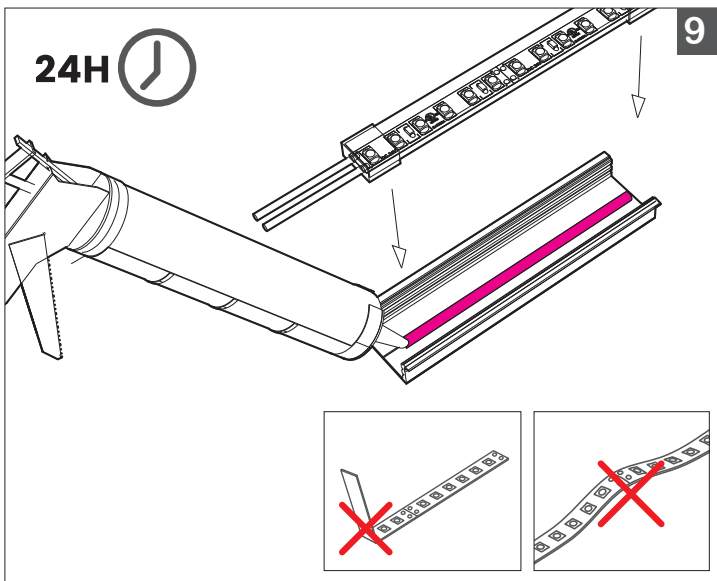


8, 9

Remove the double-sided tape backing from the LED, if applicable, and secure the BL flexFORM LED strip into the Base Track using the adhesive provided on the LED, and/or adhesive tube.

Evenly bead adhesive along the inner surface of the BL fixFORM LED Profile base track.

IMPORTANT: Mounting surface must be clean and dry. To ensure a long lasting bond, it is recommended to run an alcohol wipe along the inside of the base track, and allow it to dry completely prior to securing BL flexFORM LED into place.



IMPORTANT: Allow adequate time for adhesive to cure, a minimum 24 hours is recommended. Refer to the instruction on the specific adhesive being used for guidance.

TIP: If needed, painter's tape or masking tape may be taped temporarily over BL flexFORM LED to hold it in place on base track during cure time.

** For IP68 jacketed LED TAPE, BL flexFORM Dot-Free IP65, and down facing applications using IP65 or IP68 jacketed LED TAPE, please refer to installation guide for BL flexFORM ADH406*

PROJECT

CLIENT

TYPE

Solid State Lighting is sensitive to power fluctuations
Surge protection is highly recommended for all LED lighting products and should be on a designated circuit to protect against premature failure
Lack of surge protection may void your warranty

For more information, please download the
BL LIGHTING catalogue

BL LIGHTING. ILLUMINATE EVERYTHING

111 - 8838 Heather St. Vancouver, BC, Canada. V6P 3S8
P: 1-604-874-4405 E: info@blighting.com
BL INNOVATIVE LIGHTING. All Rights Reserved.

blighting.com

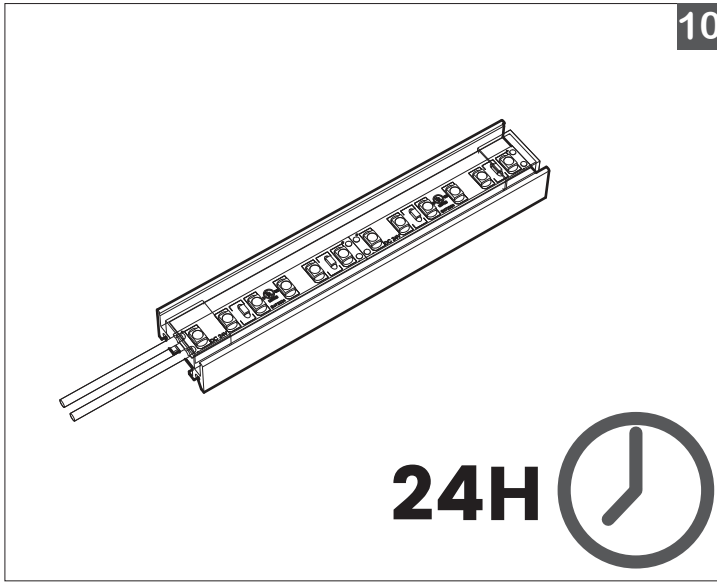


BL fixFORM SF

Indoor Surface Mount Aluminum Channel
Designed for use with **BL flexFORM** Series

Track

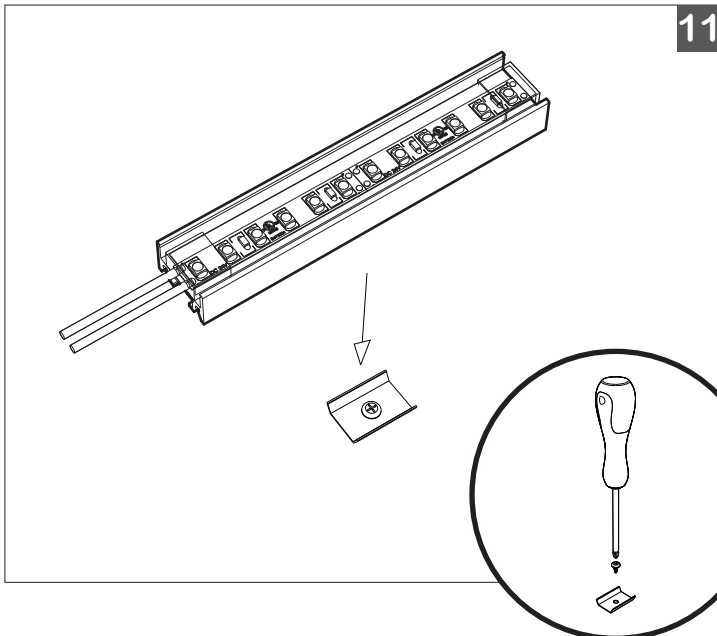
Printed



10

10.

IMPORTANT: Allow adhesive to dry a minimum of 24 hours on the ground



11

11.

Attach the included Mounting Clips using fasteners appropriate for your mounting surface, which should be clean, dry and smooth.

A minimum of 2 Mounting Clips are recommended per up to 6ft of LED Profile. More clips may be required depending on application and mounting orientation.

Snap the LED Profile into Mounting Clip.

PROJECT

CLIENT

TYPE

Solid State Lighting is sensitive to power fluctuations
Surge protection is highly recommended for all LED lighting products and should be on a designated circuit to protect against premature failure
Lack of surge protection may void your warranty

For more information, please download the
BL LIGHTING catalogue

BL LIGHTING. ILLUMINATE EVERYTHING

111 - 8838 Heather St. Vancouver, BC, Canada. V6P 3S8
P: 1-604-874-4405 E: info@bllighting.com
BL INNOVATIVE LIGHTING. All Rights Reserved.

bllighting.com

