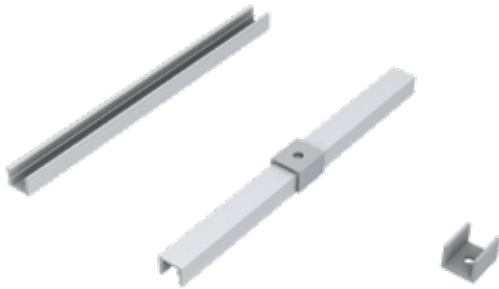


BL fixFORM SF Series

Indoor/ outdoor Surface Mount Aluminium Extrusion
Designed for use with **BL flexFORM NI Series**

NT

Printed



Certification



IP65

Mechanical

Housing Construction	Aluminium Surface Mount Extrusion Unit Includes Base Track & Plastic Clips
Environmental	IP65
Stock Length	6ft
Minimum Cut Length	Based on BL flexFORM NI Series increments

Components

SFNT	Aluminium Base Track
SFNSCP	Plastic Mount Clips

PROJECT

CLIENT

TYPE

Solid State Lighting is sensitive to power fluctuations
Surge protection is highly recommended for all LED lighting products and should be on a designated circuit to protect against premature failure
Lack of surge protection may void your warranty

For more information, please download the
BL LIGHTING catalogue

BL LIGHTING. ILLUMINATE EVERYTHING

111 - 8838 Heather St. Vancouver, BC, Canada, V6P 3S8
P: 1-604-874-4405 F: 1-604-321-0445 E: info@bllighting.com
Copyright © 2017 BL INNOVATIVE LIGHTING. All Rights Reserved.

bllighting.com



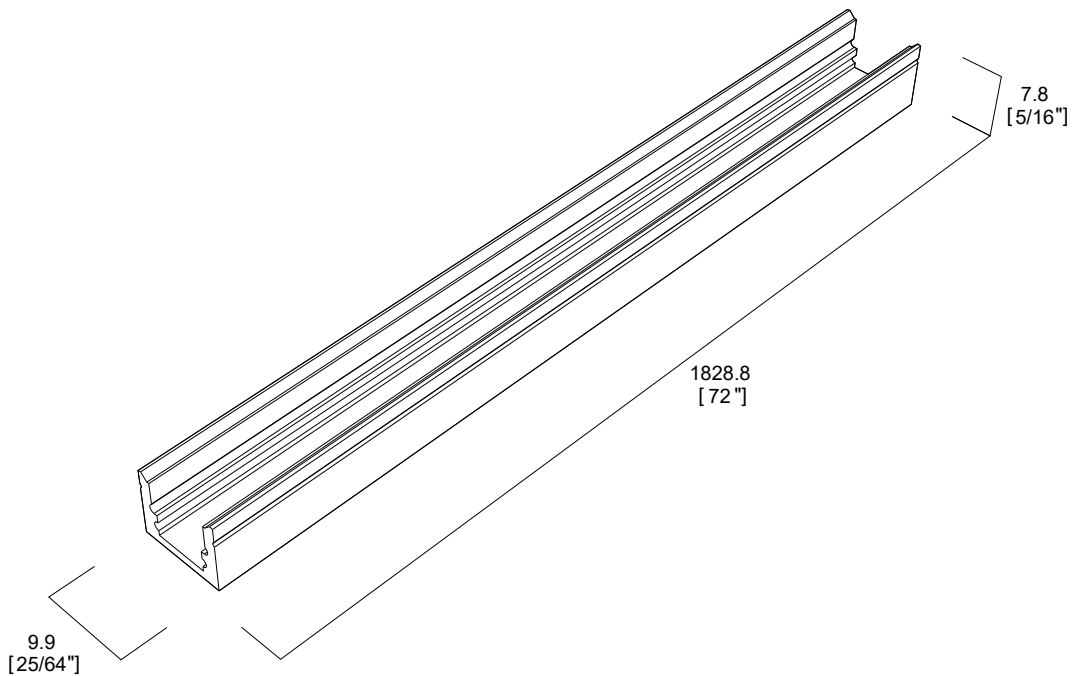
BL fixFORM SF Series

Indoor/ outdoor Surface Mount Aluminium Extrusion
Designed for use with **BL flexFORM NI** Series

NT

Printed

Dimensions



PROJECT

CLIENT

TYPE

Solid State Lighting is sensitive to power fluctuations
Surge protection is highly recommended for all LED lighting products and should be on a designated circuit to protect against premature failure
Lack of surge protection may void your warranty

For more information, please download the
BL LIGHTING catalogue

BL LIGHTING. ILLUMINATE EVERYTHING

111 - 8838 Heather St. Vancouver, BC, Canada, V6P 3S8
P: 1-604-874-4405 F: 1-604-321-0445 E: info@bllighting.com
Copyright © 2017 BL INNOVATIVE LIGHTING. All Rights Reserved.

bllighting.com

