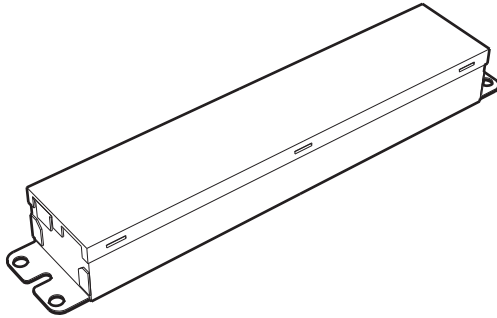


**BL LED Driver O3**

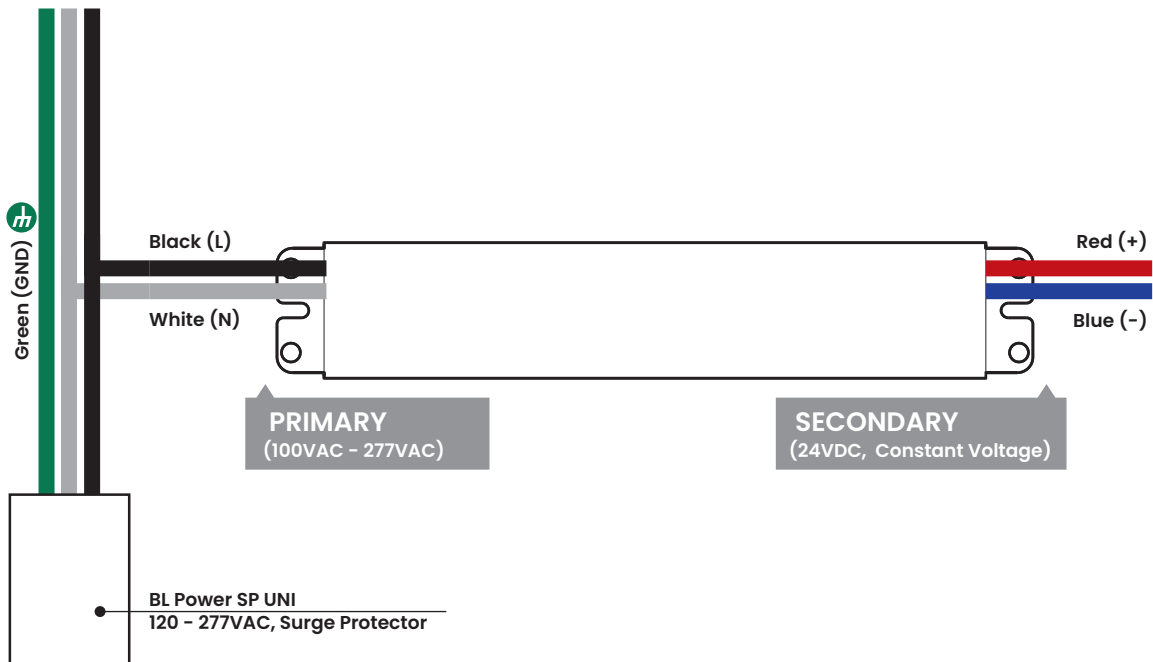
Standard LED Driver  
100W, 60W Constant Voltage, 24VDC

**100W, 60W**

Printed



**MAIN POWER SUPPLY INPUT**



BL Power SP UNI  
120 - 277VAC, Surge Protector

PROJECT

CLIENT

TYPE

Solid State Lighting is sensitive to power fluctuations  
Surge protection is highly recommended for all LED lighting products and should be on a designated circuit to protect against premature failure  
Lack of surge protection may void your warranty

For more information, please download the  
**BL LIGHTING** catalogue

**BL LIGHTING. ILLUMINATE EVERYTHING**

111 - 8838 Heather St. Vancouver, BC, Canada. V6P 3S8  
P: 1-604-874-4405 E: info@blighting.com  
Copyright © BL INNOVATIVE LIGHTING. All Rights Reserved.

[blighting.com](http://blighting.com)

